

MONOTOX[®] CP CAR PARK GAS DETECTOR

ELECTROCHEMICAL SENSOR-BASED DETECTOR FOR
CARBON MONOXIDE AND NITROGEN DIOXIDE



The Air-Met Scientific Monotox CP range offers a reliable, cost-effective method of monitoring the levels of carbon monoxide and/or nitrogen dioxide gases in car parks for mechanical ventilation control.

Utilising tried-and-true electrochemical sensors from the world's leading manufacturers, the Monotox CP can be configured to monitor either one or both target gases.

With dual analogue or Modbus outputs available, the CP range can be easily retrofitted to an existing car park gas detection system or form part of a new system that is readily integrated into a building ventilation system.



FEATURES

- Single or dual sensor options
- Multiple, configurable outputs for control system integration
- LED alarm and status annunciators
- Programmable alarm thresholds
- 2 x open collector outputs
- IP54 rated, unobtrusive enclosure design for integration with modern building aesthetics

BENEFITS

- Economic gas detection solution
- Simple installation

APPLICATIONS

- Car parks
- Light industrial applications
- Plant rooms



TECHNICAL SPECIFICATIONS

GENERAL

Supply Voltage	12 - 36 VDC (24VDC Nominal)
Current Consumption	max. 60mA @ 24VDC (Dual sensor, no peripherals)
Sensor Configurations	1 - 2 Electrochemical Sensors
Analog Outputs	4 - 20mA, 0 - 20mA, , 0 - 10VDC, Programmable Max. load 800Ω @ 24VDC
Communications	RS485 (Modbus RTU) (Optional)
Other Outputs	2 x open collector (programmable)
Alarms	Visual; LED (Alarm 1, Alarm 2)

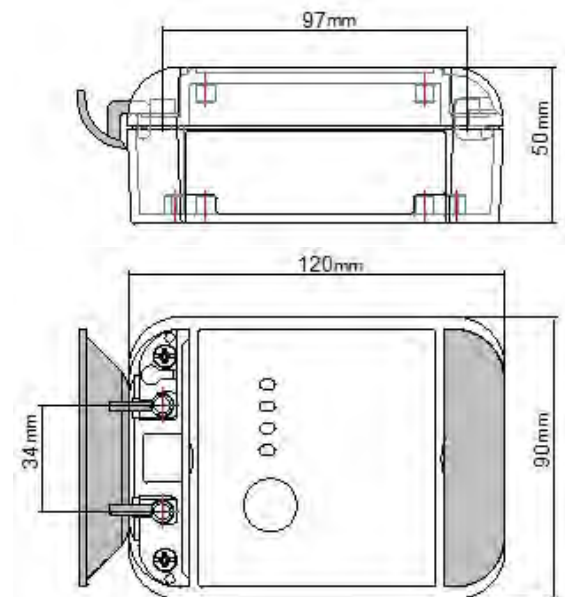
SENSOR SPECIFICATIONS

Sensor	Carbon Monoxide	Nitrogen Dioxide
Available Sensor Ranges	0-300ppm	0-20ppm
Typical Response Time (T90)	<30	<30
Accuracy	± 5%	± 5%

*At conditions of calibration

INSTALLATION

Enclosure	ABS RAL 7035, Light Grey
Dimensions (mm)	120 x 90 x 50
Operating Temperature	0 - 50°C
Humidity	0 - 95% non-condensing
Pressure	800 – 1200mbar
IP Rating	IP54 with supplied glands
Cable Entry Options	1 x M16 Gland 2 x M16 Glands Rear Entry
Cable Requirements	3 / 4 core shielded, 0.5mm ² (configuration dependent)



ACCESSORIES

PART NO.	ACCESSORY
96844636-R	Strobe/Siren (Red)
Maestro-E224	Modem/Logger
AMS-MTX-CALAPT	Calibration Adaptor
FF-100-.5	0.5/L Flow Regulator
AMSDATA12	Data Portal Subscription (12 Months)
-	Calibration Gas

