



# AirMetER-AX MULTIPARAMETER AIR QUALITY MONITORING STATION

MONITORING SOLUTION FOR PARTICULATE, GAS, NOISE & ENVIRONMENTAL CONDITIONS



**Australian Made and locally supported, the AirMetER-AX is a compact and easy to install air quality station. The AirMetER-AX supports 1-8 gas sensors, multi-fraction particulate matter, general weather and noise monitoring.**

Designed to withstand various weather conditions, the AirMetER-AX is housed in a weather resistant enclosure ideal for round the clock continuous outdoor monitoring. The AirMetER-AX has datalogging capacity at a minimum of 365 days at one-minute intervals with built-in log and forward capability to locally store the data in the event of a network disruption.

Integrating seamlessly with Air-Met Scientific's web-based portal for remote data access, this secure data portal enables users to access monitoring logs, set customisable alerts, manage monitoring reports and more. The web-service application is accessible on both desktop PC and mobile smart devices.



**AirMetER-AX | Proudly Australian Made**

## FEATURES & OPTIONS

- > Simultaneous PM<sub>1</sub> and PM<sub>10</sub> measurement
- > Optional PM<sub>1</sub>, PM<sub>4.25</sub> and TSP
- > Simultaneously monitor 1-8 different gases  
Available gases – CO, CO<sub>2</sub>, VOC, SO<sub>2</sub>, H<sub>2</sub>S, O<sub>2</sub>, O<sub>3</sub>, NO and NO<sub>2</sub>
- > Weather and vibration monitoring
- > Noise measurements
- > Heated inlet
- > Easy to use and low maintenance
- > Locally serviced and supported by Air-Met Scientific
- > Supports integration of external fixed sensors e.g. Fixed Gas Transmitters, Soil Moisture Probes.
- > Supports integration to local SCADA / External Networks

## DATA MONITORING

- > Cellular telemetry through Air-Met Scientific's secure data portal. Requires minimum 12-month subscription to Air-Met's data portal.
- > 1 minute datalogging interval with FTP transfer to Air-Met Scientific's secure web service.
- > Customisable rolling averages upon request
- > Data downloads, user management, threshold alert management (SMS and/or email) and auto-report generation all managed via Air-Met Scientific's data portal.



## TECHNICAL SPECIFICATIONS

### GENERAL

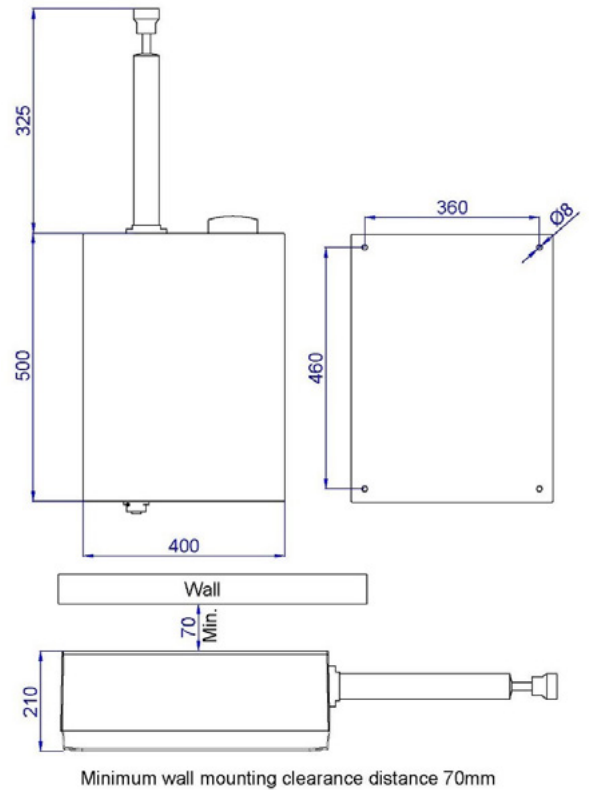
Power Requirement	12VDC
Rated Power	43W
Operating Temperature	0 to 50 °C
Operating Humidity	0 to 95% non-condensing
Operating Pressure	860 to 1100 hPa
Particulate Sensor Operating Life	2 years (when operating below 40 °C)
Datalogging	3 years of logs onboard with unique file name creation every 24 hours
Alarm Indicator (optional)	Onboard dedicated alarm relay for all installed sensors

### ENCLOSURE

Material	Polycarbonate
Dimensions	500mm (H) x 400mm (W) x 210mm (D)
Instrument Weight	15kg
Mounting Options	Pole-mount kit supplied (recommended installation method) Wall-mount: ~70 mm offset required for dust inlet clearance

### COMMUNICATION

PLC or SCADA Integration	Serial RS485
FTP Upload	Cellular, Ethernet or WiFi



## PARTICULATE MEASUREMENTS

	AirMetER-AXII (PM <sub>2.5</sub> & PM <sub>10</sub> )	AirMetER-AXIV (PM <sub>1</sub> , PM <sub>2.5</sub> , PM <sub>4.25</sub> , PM <sub>10</sub> and TSP)	
Range	0-999.9µg/m <sup>3</sup>	0-30,000µg/m <sup>3</sup>	
Resolution	0.1µg/m <sup>3</sup>	1µg/m <sup>3</sup>	
Relative Error	Max of ±15% and ±10µg/m <sup>3</sup>	PM <sub>1</sub> /PM <sub>2.5</sub> /PM <sub>4.25</sub> ± 10% of reading PM <sub>10</sub> ± 15% of reading TSP ± 20% of reading	} Up to 1000µg/m <sup>3</sup>

### GAS MEASUREMENTS (specifications are based on 20°C and 800-1200 hPa conditions)

Type	Range	Resolution	Min. Repeatable Detectable Level
CO (low range)	0-10ppm	1ppb	20ppb
CO (high range)	0-300ppm	1ppm	N/A
CO <sub>2</sub>	0-5000ppm	1ppm	15ppm
VOC (low range)	0-20ppm	1ppb	15ppb
VOC (high range)	0-200ppm	0.1ppm	N/A
SO <sub>2</sub>	0-10ppm	1ppb	20ppb
H <sub>2</sub> S (low range)	0-2ppm	1ppb	20ppb
H <sub>2</sub> S (high range)	0-100ppm	0.1ppm	N/A
NO <sub>2</sub> (low range)	0-1ppm	1ppb	20ppb
NO <sub>2</sub> (high range)	0-20ppm	0.1ppm	N/A
O <sub>3</sub>	0-1ppm	1ppb	20ppb
O <sub>2</sub>	0-25%VOL	0.1%VOL	N/A
NO	0-5ppm	1ppb	20ppb

Additional gases are available on request. Contact your local Air-Met Scientific office for more information.

## WEATHER SENSOR

Integrated climate sensor for weather monitoring

Wind Speed	0 to 60.0 m/s
Wind Direction	0° to 360.0°
Air Temperature	-40.0 to +60.0°C
Relative Humidity	0 to 100.0%
Barometric Air Pressure	800.0 to 1060.0 hPa
Precipitation	0.00 to 100.00 mm/h

## NOISE

Integrated noise monitor using TA120

Range	35.0 to 120.0 dB
Resolution	0.1 dB
Accuracy	According to IEC 61672-1 Class 1

## SPARE PARTS & ACCESSORIES

PART NO.	DESCRIPTION
TF-TRI-AL	1.2m Tripod
AMS/200S/170B/15M/9C	170 Ah Lead-Acid Solar Battery Kit
AMS/250S/150B/15M/9C	150 Ah Lithium Solar Battery Kit (**20kg only**)
AMS-LPF-60-12	Power Supply (100-240VAC Input)
SF-OPC6303-15-QN	Dust Filter for AX-IV Module
9933-05-CQ	Dust Filter for AX-II Module
17576-K-EACH	Gas Filter
AMS-ALARM	Built in audible and visual alarm
AMS-HMI	Integrated local display

For all additional sensors, please contact Air-Met Scientific.

WANT TO LEARN MORE? CONTACT US TODAY!

For more information about the AirMetER-AX or additional sensors, contact your local Air-Met Scientific office on 1800 000 744 or contact our team via email at [engineeredolutions@airmet.com.au](mailto:engineeredolutions@airmet.com.au).

Alternatively, scan the QR code to find your nearest Air-Met Scientific office.



V0324