



This instruction sheet covers the following sampler models:

- 225-69 Cyclone sampler with re-usable cassette for 25mm diameter filter
- 225-69-37 Cyclone sampler with re-usable cassette for 37mm diameter filter

Introduction

The cyclone sampler is designed for dust (aerosol) sampling to the respirable convention as defined in standard EN481:1993.

Design flow rate is 3.0 l/min, giving a 50% sampling efficiency (cut point) at 4.0µm (micron) particle size.

The cyclone sampler has been tested in accordance with EN 13205 by the Health and Safety Laboratory (HSL) to verify its performance against the respirable convention. A certificate of conformity detailing the results of this testing is included on page 4 of this instruction.

The SKC plastic cyclone is manufactured from conductive plastic which dissipates electrical charges to the surrounding atmosphere and prevents static interference on the collection of the dust particles.

The filter is held within a re-usable plastic cassette, which is supplied complete with a metal filter support grid and a sealing clip to prevent contamination of the sample during transport for laboratory analysis.

For detailed instructions on air sampling in general and use of the cyclone sampler in particular refer to SKC's 224-G1 Step by Step Guide to Air Sampling.

It is also recommended to obtain and read the document MDHS 14/4 "General methods for sampling and gravimetric analysis of respirable, thoracic and inhalable aerosols", available from the HSE website www.hse.gov.uk, before carrying out any sampling using the cyclone sampler.

Preparing the Cyclone Sampler for Use

The following instructions give basic details on how to prepare for sampling by gravimetric analysis according to MDHS 14/4.

Select two filters from the same box or batch. One filter is used whilst calibrating the sample flow rate and is then discarded, and the other is pre-weighed to carry out the actual sample.

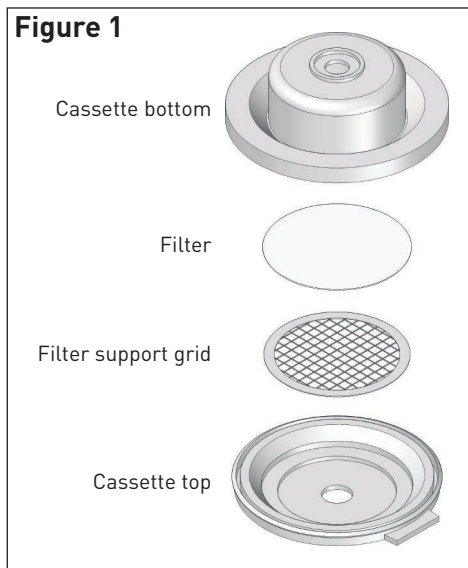
It is recommended to wear powder free gloves and to use tweezers when handling filters in order to prevent contamination prior to taking the sample.

Loading the cassette

Ensure that the cyclone sampler components are cleaned of any contamination, using a detergent solution. Allow the components to dry fully before use.

Referring to Figure 1 on page 2, place the top part of the cassette (labelled "TOP") upside down on a flat surface.

Figure 1



Place the metal filter support grid into the top part of the cassette. Place the filter to be used for calibration onto the support grid.

Fit the bottom part of the cassette onto the top part and press down gently on the edges of the bottom part to close the cassette.

Avoid exerting undue pressure on the filter. The closure is intentionally stiff to avoid accidental opening, and to ensure a leak tight fit.

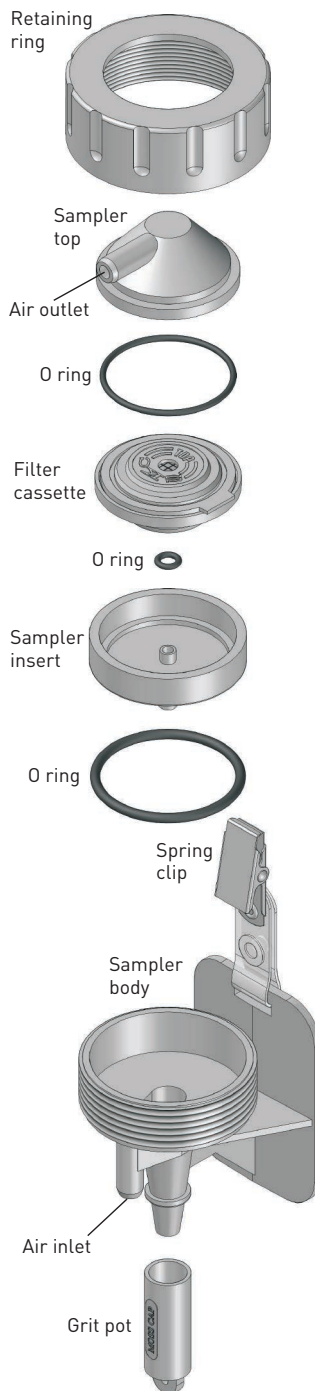
Fitting the cassette into the cyclone sampler

Referring to Figure 2, ensure that the large O ring is fitted to the sampler body beneath the sampler insert and the small O ring is fitted over the short tube in the middle of the insert.

Fit the assembled cassette into the cyclone insert with the cassette top upwards.

Check that the thin O ring is fitted into the recess in the underside of the sampler top. Place the sampler top on

Figure 2



the cassette. Fit the retaining ring over the sampler top and screw down firmly to secure the cassette within the sampler and seal the cassette inlet and outlet.

Ensure that the grit pot is securely fitted over the ridge around the bottom of the sampler body.

Flow Calibration

Connect the inlet hosedetail of the sample pump to the air outlet of the cyclone sampler with a length of flexible tubing. Connect the flow calibration device (such as a chek-mate flowmeter or rotameter) to the air inlet of the cyclone sampler using a second length of flexible tubing.

Calibrate the sample flow rate to 3.0 l/min.

Disconnect the tubing from the cyclone sampler inlet and outlet. Remove the cassette from the cyclone sampler.

Hold the cassette upside down and prise the two halves apart using the side tab. Remove and discard the calibration filter. Place the pre-weighed filter to be used for the sample, onto the filter support grid and re-assemble the cassette. Fit the cassette into the cyclone sampler.

Quickly re-check the flow rate and make any final adjustments. Switch the sample pump off.

The cyclone sampler is now ready for sampling.

After Sampling

Away from the sample location quickly check the sample flow rate, then disconnect the tubing from the cyclone sampler air inlet and outlet.

Carefully remove the cassette from the cyclone sampler and split the two parts of the cassette apart.

Post Weighing the Filter

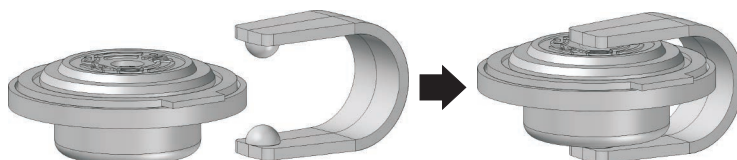
Carefully lift the filter out of the cassette using tweezers. Post weigh the filter.

The difference between the pre and post weights will give the respirable sample.

Transportation

If further analysis is required, prepare the sample for transportation to the laboratory by carefully placing the filter back in the cassette, and fitting the yellow, U shaped sealing clip over the cassette inlet and outlet holes. Use of the sealing clip prevents unwanted ingress or loss of contaminant during transport. Alternatively, a filter transport cassette (SKC P/N 225-67-10) can be used, freeing the filter cassette for immediate re-use.

Figure 3



Certificate of Conformity

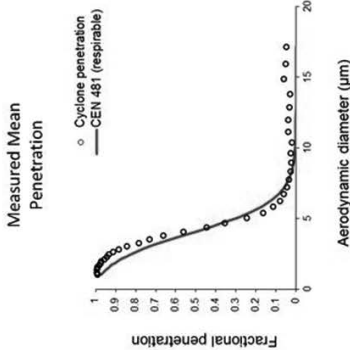
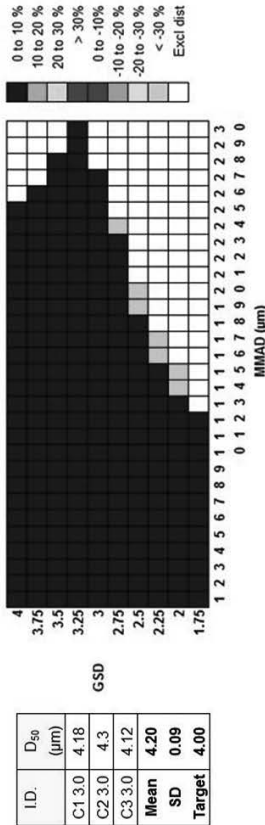


HEALTH & SAFETY
LABORATORY
www.hsl.gov.uk

Testing carried out according to BS EN 13205
SKC plastic cyclone sampler for the respirable aerosol fraction defined in EN481.
Tested at the Health & Safety Laboratory,
Harbour Hill, Buxton SK17 9JN

31/08/2018

Bias Map
SKC plastic cyclone operating at a flow rate of 3 l/min



Bias Performance Criteria (BPC): 85% or more of all calculated biases are within +/- 10% at a cyclone flow rate of 3 l/min
CONFORMS

Signed: *S Hall* (S. Hall)
Date: 06/09/18

This certificate of conformity indicates that the plastic SKC cyclone sampler was tested at the above establishment on the designated date and that it complied with the Bias Performance Criteria (described in BSEN 13205) at a flow rate of 3 l/min in which 85% of the calculated biases were within +/- 10% of the theoretical respirable curve given in EN 481.

