

# Remediation Control Accessories

## Geotech Level Control Probes

Geotech Level Control Probes, when used in conjunction with Geotech or other vendor supplied equipment, can aid in facilitating operation and process control in a variety of environmental remediation equipment applications.

### FEATURES

- Intrinsically safe voltage design\*
- Stainless steel shaft
- Float material designed for use in most hydrocarbon/water applications
- Available in NO/NC options
- Available for harsh environmental applications, call for quote.
- Conductivity probes also available, call for quote.

\* **Note:** Intrinsically safe applications require customer supplied intrinsic barriers.

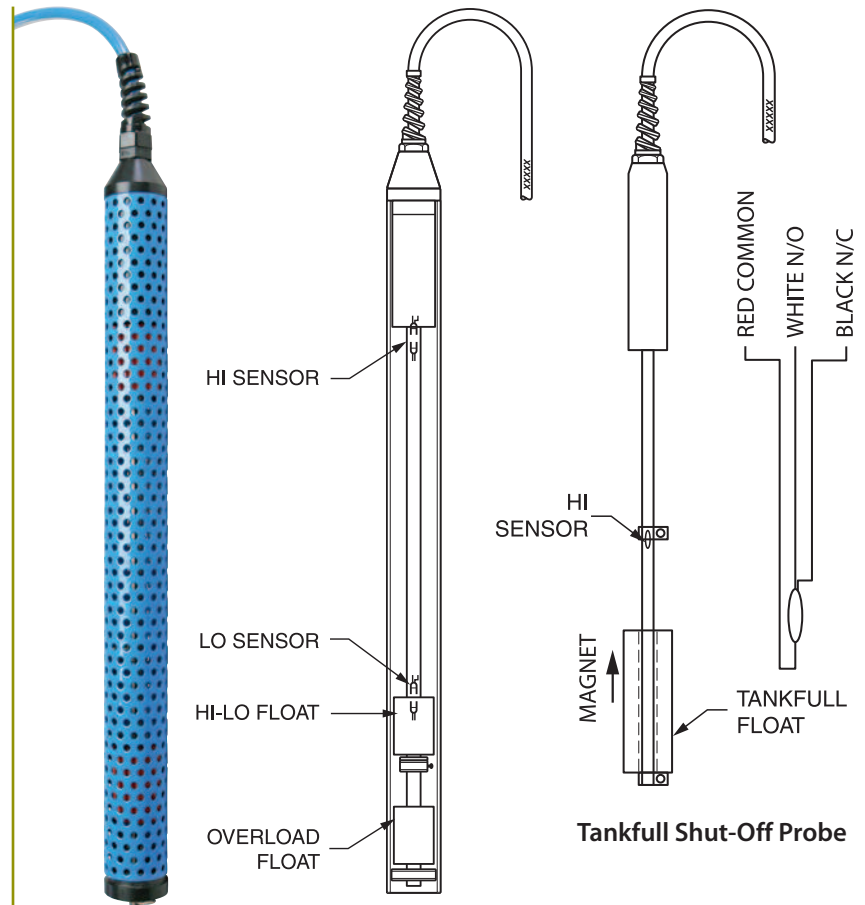
### OPERATION

Float activated switch(s) are imbedded in the shaft of each level switch probe. As a float passes over the switch, the switch is activated to change the electrical contact state, thus sending a signal to a customer supplied control panel or device.

### APPLICATIONS

Geotech Level Control Probes are designed to meet a variety of applications such as:

- Groundwater Extraction Pumps
- Hydrocarbon Pumps
- Transfer Pumps
- High/Low Sump Conditions
- Tankfull Shut-Off



Water Table Depression Pump  
Density Probe

Tankfull Shut-Off Probe

### SPECIFICATIONS

|                           |                                  |
|---------------------------|----------------------------------|
| <b>Float Material</b>     | Urethane                         |
| <b>Shaft Material</b>     | 300 Series Stainless Steel       |
| <b>Switches</b>           | Magnetic, Reed                   |
| <b>Cable Material</b>     | Polyurethane                     |
| <b>Power Requirements</b> | 5 Volt DC with I.S. Energy Level |

**CALL GEOTECH TODAY (800) 833-7958**

**Geotech Environmental Equipment, Inc.**

2650 East 40th Avenue • Denver, Colorado 80205

(303) 320-4764 • (800) 833-7958 • FAX (303) 322-7242

email: sales@geotechenv.com website: www.geotechenv.com

# Remediation Control Accessories



## Geotech Level Control Probes

### HOW TO ORDER

Fill out this form indicating the application of use, types of floats, electric contact state (N/O for Normally Open or N/C for Normally Closed) and distance lengths for each float. If you do not need to include a float, indicate N/A (Not Applicable).

**Application:**

---

---

---

---

---

---

---

---

---

---

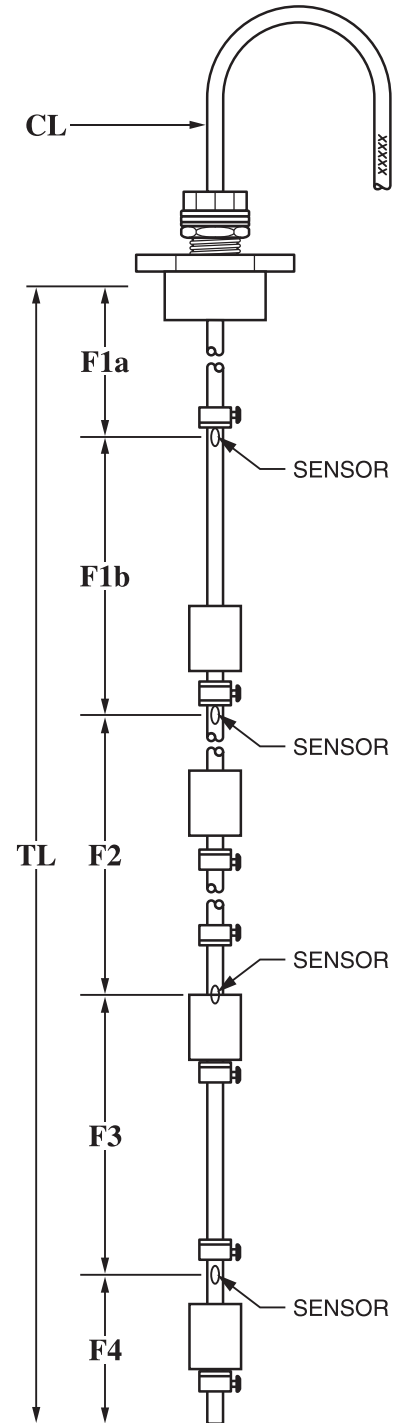
**Actual point location and logic**

**Total Length (TL) in inches** \_\_\_\_\_

| Float       | Distance | Float Type<br>(water only or all fluids) | Electric State<br>(N/O or N/C) |
|-------------|----------|--|--------------------------------|
| <b>F1a:</b> | _____    | _____                                    | _____                          |
| <b>F1b:</b> | _____    | _____                                    | _____                          |
| <b>F2:</b>  | _____    | _____                                    | _____                          |
| <b>F3:</b>  | _____    | _____                                    | _____                          |
| <b>F4:</b>  | _____    | _____                                    | _____                          |

**Cable Length**

**CL** \_\_\_\_\_



**CALL GEOTECH TODAY (800) 833-7958**

**Geotech Environmental Equipment, Inc.**  
 2650 East 40th Avenue • Denver, Colorado 80205  
 (303) 320-4764 • **(800) 833-7958** • FAX (303) 322-7242  
 email: sales@geotechenv.com website: www.geotechenv.com